

LeviCare Compact PJC

Mobile hoist



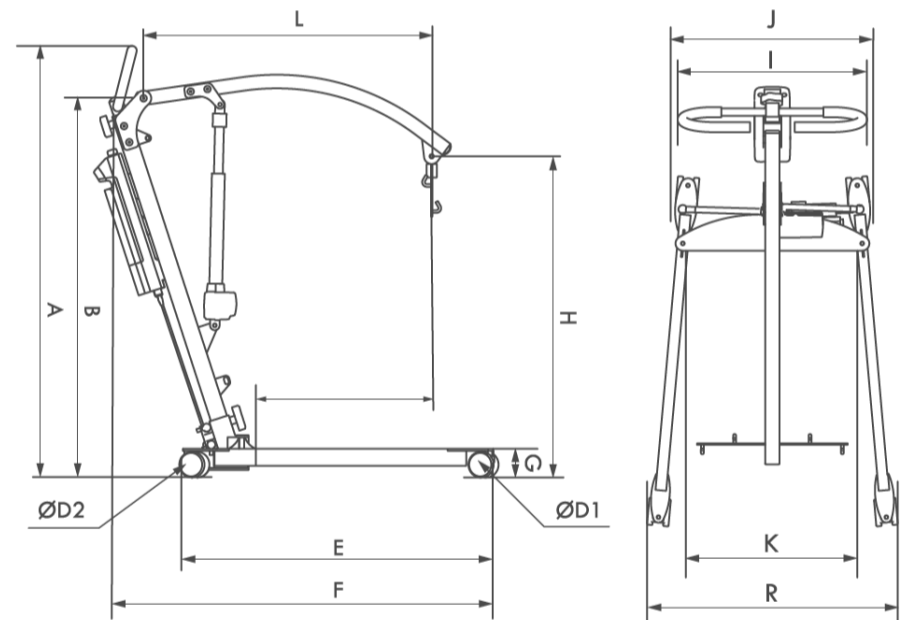
The LeviCare Compact is our newest mobile hoist. Similar in size to the J160 Mini, it boasts lower weight, a reduced width, a wider runner spacing, and a lithium-ion battery. The battery features faster charging and increased battery life.



Intuitive wired and wireless controls



Simple and quick battery replacement



Hoist dimensions

A - device height (without handle)	1140 mm
B - device height (with handle)	1280 mm
C - range of use depth	270 – 560 mm
E - base length	960 mm
F - device length	1210 mm
G - base height	86 mm
H - lifting range	600 – 1760 mm
I - handle width	530 mm
J - width of the device	572 mm
K - width of the internal usable area	480 mm
L - arm length	910 mm
R - max. base spacing	1020 mm
Ø D1 - front wheel diameter	75 mm
Ø D2 - rear wheel diameter	75 mm
Total weight (without hanger, vest)	31 kg
Maximum load	120 kg

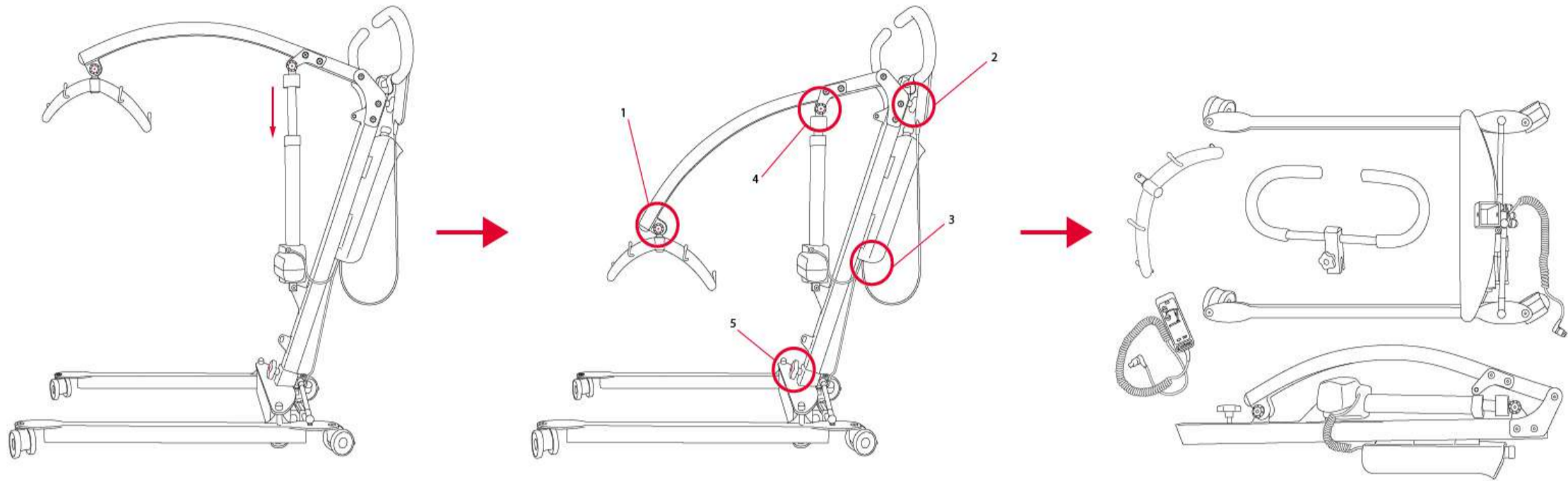




Simple assembly and disassembly

The use of mounting pins and knobs facilitates the disassembly of the hoist into easy-to-transport parts.

Instructional video on how to assemble the Compact hoist:



Accessories



Carrying bag PJC-T



LeviCare scale
APLC-07



Docking station
JCB35K3

