

LeviCare S120 pds_l/m

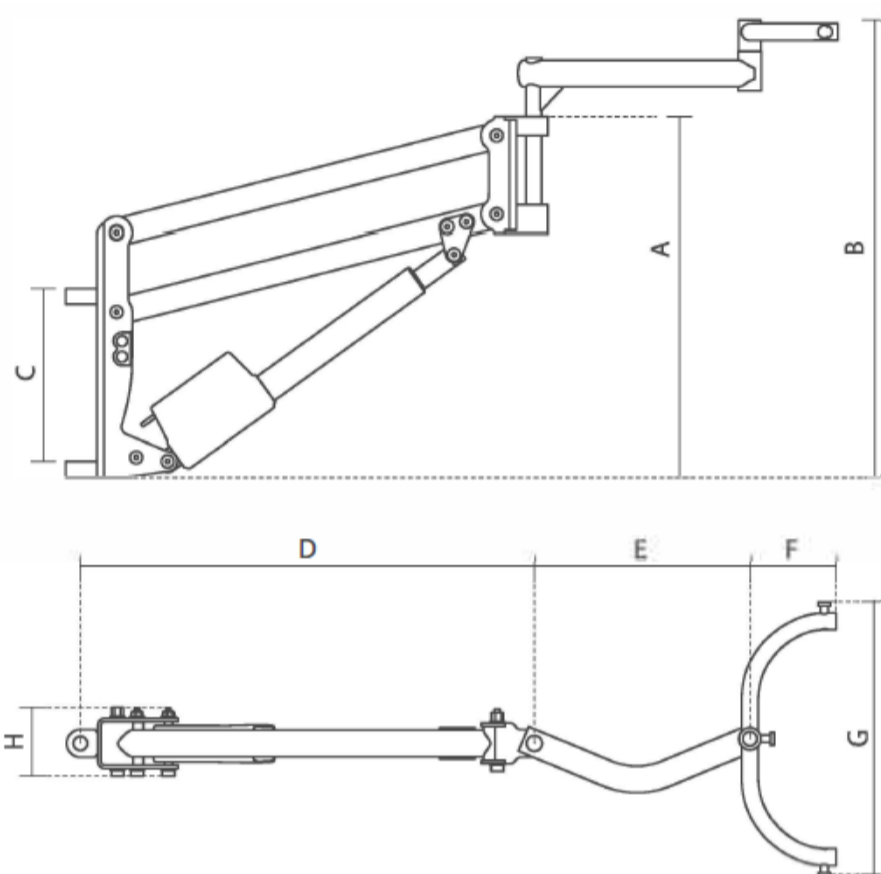
Car hoist

The LeviCare S120 is designed to transport people with disabilities in a seated position. The device consists of an electronically controlled arm that attaches to a dedicated post mounted in the vehicle's structure. Thanks to the hoist's three axes of rotation, you can easily transfer a person with disabilities from a wheelchair to a car and vice versa.

The hoist's movement is controlled by an intuitive wired remote control, a compact wireless remote control, or buttons located on the lift's body.



The LeviCare S120 is mounted on a dedicated post attached to the vehicle floor. The hoist consists of three components, and assembly to the post is easy and tool-free.



S120 hoist parameters

A - height of the first member	330 - 770 mm
B - total height	453 - 893 mm
C - spacing of mounting holes	220 mm
D - length of the first member	350 - 595 mm
E - length of the second member	275 mm
F - length of the third member	110 mm
G - hanger width	350 mm
H -width of the device	90 mm
Noise level	<44 dB
Weight without sling	9,75 kg
Lifting capacity	120 kg

Electrical data

Power supply	DC 12 V max. 11 A
Actuator tightness class	IP66
Pilot tightness class	IP66
The tightness class of the box	IP44
Lifting time 60kg	40 sec.
Lowering time 60 kg	35 sec.
Work cycle	10% max. 2 min ON, next 18 min OFF