

# LeviCare Q140 PKLC-01

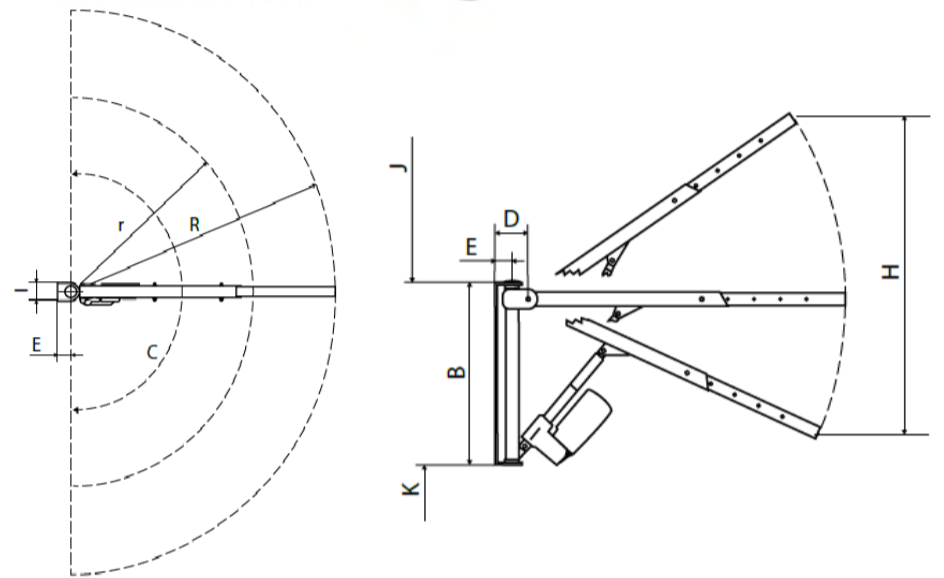


## Wall hoist



The LeviCare Q140 transport and bath hoist is an excellent solution for caring for the elderly and people with disabilities. It facilitates and enables many activities, such as bathing, changing bedding, or transferring from bed to wheelchair. Thanks to its compact size and adjustable arm length, it is suitable for both large and very small, hard-to-reach spaces. Simple to operate, it requires only one caregiver, reducing their workload and protecting their health.

Thanks to its high tightness class, the wall hoist can be safely used in sanitary facilities, where it's useful for transferring a person from a wheelchair to a bathtub, shower, or toilet. The lift is easily adjusted to the intended use thanks to its adjustable arm length. Lifting is performed using an electric actuator controlled by a wired control.



### Main advantages of the device:

- arm length adjustment,
- various mounting options depending on the architectural conditions of the room,
- the ability to adjust the lift to any room, even a small one,
- the lightest wall lift on the market,
- the ability to move the lift between bases in different rooms,
- minimal interference with the building structure,
- does not require renovations or alterations to the rooms,
- mains or battery powered,
- has special protection against slipping out of the base.



### Q140 Hoist Dimensions

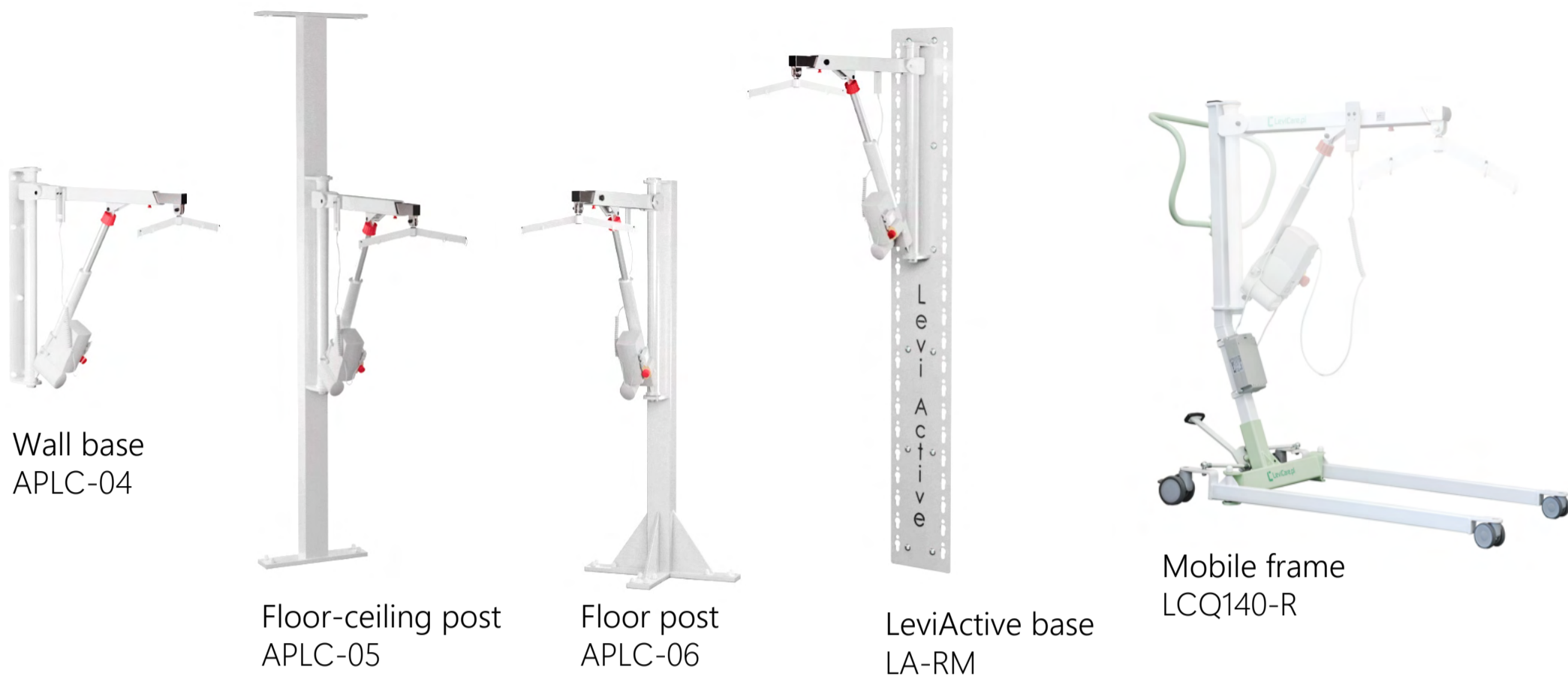
R - arm reach	920 – 1340 mm
B - device height	735 mm
C - rotation radius	0° – 180°
D - distance of the horizontal axis of rotation from the plane	125 mm
E - distance of the vertical axis of rotation from the wall	65 mm
H - lifting range	1130 mm
I - base width	80 mm
J - min. distance of the base mounting from the ceiling	670 mm
K - standard mounting height	850 mm
Total weight (without base, spreader bar, sling)	12,5 kg
Maximum load	140 kg
The force needed to operate the remote control	≤5N
Noise level	≤44dB

### Electrical parameters

Current supplying the control box	230V AC, 50Hz, 1000mA
Current coming out of the control box	24V DC, 100VA (Max)
Actuator power supply current	24V DC
Max current consumption (actuator)	7A
Battery	2,2Ah; 24V
Battery tightness class	IP66
Control box tightness class	IP66
Actuator tightness class	IP66
Hand control tightness class	IP66



# Installation methods



# Accessories

