

LeviCare J160/190 J160/190-M/E

Mobile hoist



The robust LeviCare J160/190 mobile hoist with an electric lifting system is used for lifting, transporting and transferring patients with various types of illnesses and mobility disorders.



Main advantages of the device:

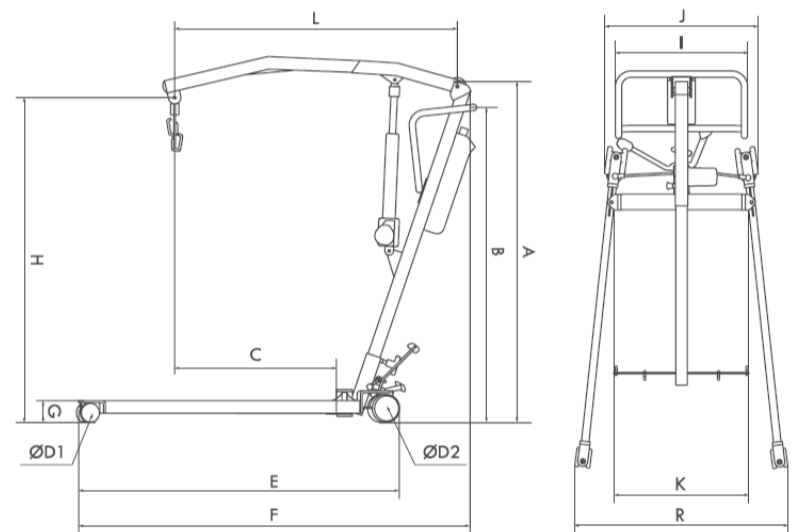
- wide transfer range,
- can be lifted from the floor,
- very low rolling base,
- interchangeable spreader bars and a wide selection of accessories,
- intuitive hand control and control box.

Electrical parameters

Charger	Input: 230 V 50 Hz Output: 29.4 V DC, 1 A
Battery	24 V DC
Control box tightness class	IP66
Actuator tightness class (upper/lower)	IP66/ IP66
Pilot tightness class	IP66
Work cycle	10% max 2min ON/ 18min OFF
Working under load (lifting, lowering)	60 cycles at half lifting range and 80 kg load
Average lifting/lowering time	38 s
Average base spacing time	~2s



The lift is available in two versions, allowing for customization to individual customer needs and requirements. Equipped with replaceable, mains-chargeable batteries, it ensures continuous and comfortable operation. It is operated via an wired remote control or buttons located on the control box. The foldable design allows for easy storage and transport.



J160/190 hoist dimensions

A - device height	1300 mm
B - handle height	850 - 1170 mm
C ^P - range of use depth (lifting)	590 mm
C ^I - range of depth of use (verticalization)	480 mm
E - base length	1190 mm
F - device length	1510 mm
G - base height	88 mm
H ^P - lifting range (lifting arm)	795 - 2065 mm
H ^I - lifting range (verticalization arm)	985 - 2060 mm
I - handle width	520 mm
J - width of the device	630 mm
K - width of the internal usable area	530 mm
L ^P /L ^I - arm length (lifting/verticalization)	1060 mm/950 mm
M - space inside the arm for verticalization	505 mm
N - width of the platform for verticalization	360 mm
O - depth of the platform for verticalization	360 mm
P - tibial support height	385 mm/325 mm
R - base spacing range (mechanical/electric)	620 - 1110/620 - 1220 mm
Ø D1 - front wheel diameter	75 mm
Ø D2 - rear wheel diameter	100 mm
Total weight (without spreader bar, sling)	38 - 39 kg
Maximum load (marked on the lift's nameplate)	160/190 kg
Maximum force required to operate the remote control	5 N
Maximum noise level	44 dB



Installation and use



Instructional video on how to assemble the LeviCare J160/190 lift:



How to use a mobile lift?



Accessories



Flat spreader bar
APLC-01



4 point spreader bar
APLC-02



8 point spreader bar
APLC-03



LeviCare scale
APLC-07



Battery
APLC-15



Docking station
APLC-14



Verticalization set
APLC-13