

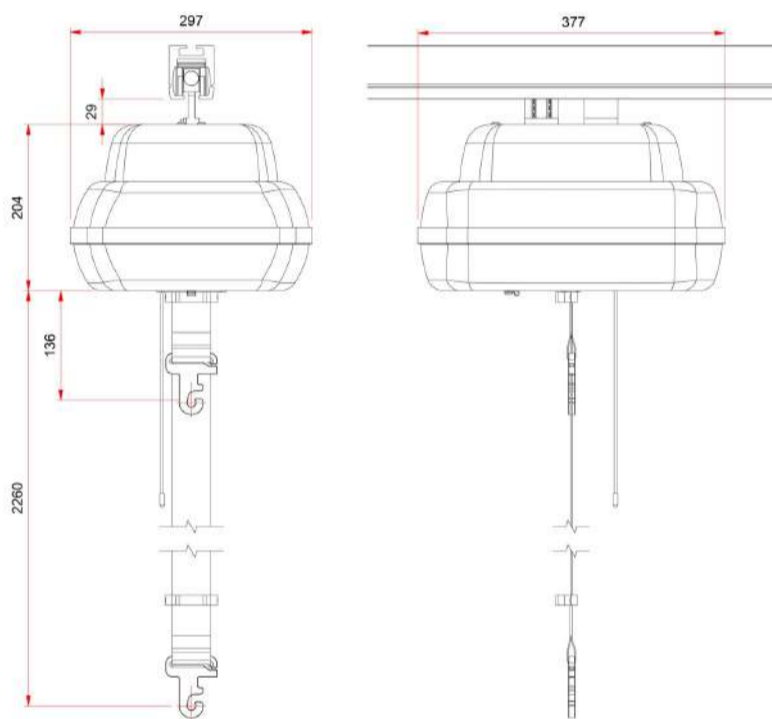


# PLS AR-275DR PLS2027DR

## Ceiling hoist



The AR-275DR is a high-quality, self-propelled ceiling hoist that allows for safe and respectful transfers. The ceiling hoist is characterized by exceptionally low noise levels, both during lifting and while traveling along the rail. The hoist's high load capacity, combined with numerous advanced mounting options and a long-lasting battery, allows it to be used not only for transfers but also for physiotherapy.



Dimensions: 377 x 297 x 204 mm  
Length of carrying strap: 2260 mm

### Main advantages:

- Electrically controlled movement mechanism, allowing it to move along the rail using an electric drive at the touch of a button,
- Advanced battery protection system,
- Automatic standby mode when not in use for a certain period of time,
- Zero power consumption in standby mode,
- Slow start and stop function for a comfortable lifting experience,
- Option to use an electric hanger,
- Manual charging via a magnetic wall charger.

PLS hoists are charged via a hand control in a magnetic charging station mounted on the wall.



### Technical parameters

Lifting capacity	275 kg
Control	Hand control
Moving along the track	Hand control
Spreader bar attachment point	Quick connector with hanger lock and screw d=10mm
Battery charging time (from critical level)	8 hours
Battery charge indicator	LED diode
Auto hoist shut-off	Yes -15 minutes
Auto battery indicator off	Yes - 2 minutes
Number of lifts 70 cm when fully charged	80kg - 125 / 200 kg - 80 / 275 kg - 50
Device weight	14,7 kg
Sound level up (no load, max load)	48 dB / 56 dB (A)
Sound level down (no load, max load)	47 dB / 53 dB (A)
Lifting speed (without load, with load)	48 / 41 mm/sec
Falling speed (no load, with load)	53 / 51 mm/sec
Input voltage	24 V/DC (via wall charger)
Battery	Batteries (2x) 12 V – 5 Ah (sealed lead-acid)
Hoist tightness class	IP-32
Hand control tightness class	IP-66
Emergency lowering	Yes, with a 60 cm rope
Slow start&stop system	Tak
Battery protection system	Tak
End protection	Ensures that the hanger does not move higher than the maximum lifting height.
Emergency stop switch	Yes, it turns off the hoist when the button is pressed

### AR275DR driven trolley

Weight	2kg
Sound level at full speed	35 dB
Feed speed (load 0 / 80 / 120 / 200 kg)	manually/ 0,232 / 0,231 / 0,227 m/sec
Average speed	0,230 m/sec
Acceleration to full speed	85 cm
Braking from full speed to 0	25 cm
Trolley tightness class	IP-52
Output voltage	24 V/DC connected to the battery in the hoist



### Additional technical parameters

Control	Wired and wireless
Average braking distance at the center of the suspension	37 mm
Additional charging option	Directly in the rail (optional)
Cover	HIPS (high impact polystyrene)
Length of the alarm cord	60 cm (adjustable)
Basic UDI-DI	87201657932027U9
In accordance with Regulation (EU) 2017/745 and standards	See Declaration of Conformity

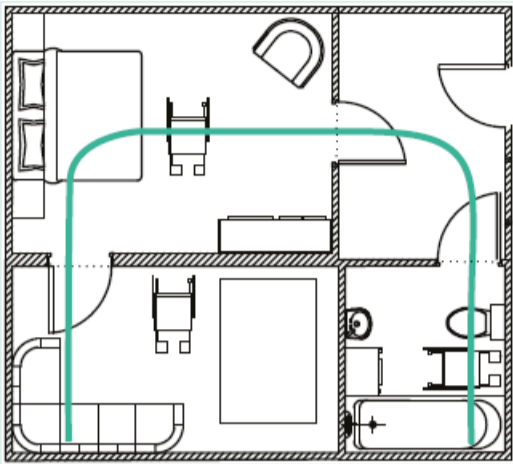
### Safety features

Battery monitor	Prevents the battery from completely discharging.
Height limit switch	Ensures that the spreader beam does not move higher than the maximum lifting height.
Emergency stop	Turns off the ceiling hoist in an emergency by pulling the red string.
Emergency lowering function	Lowers the patient after pulling the emergency cord.
Lifting belt tension switch	Prevents the lifting strap from building up in the ceiling hoist when lowering it without a load.
Lifting belt limit switch	Turns off the ceiling hoist motor at the end of the lifting belt.

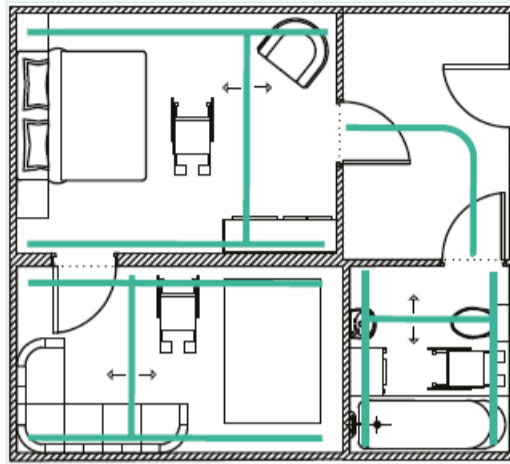
### Driven trolley - broader description

Use	In all PLS rails and railway components
Operating	Manual Plus control, with "back" and "forward" buttons. The control function is activated by lifting the patient. Manual transfer is possible without a patient (load).
Scale	2 kg
Speed (przy 0 kg/ 80kg/ 120 kg/ average)	Manual handling, 0,232 m/s , 0,231 m/s, 0,227 m/s, 0,230 m/s
Starting distance from zero to full speed (average)	85 cm
Braking distance from full speed to zero (average)	25 cm
Height between top cover and bottom rail (unloaded)	26,5 mm
Electrical connection	On the ceiling lift PCB
Input voltage	24 V/DC (connected to PLS Ceiling Hoist batteries)
IP tightness class	IP-52

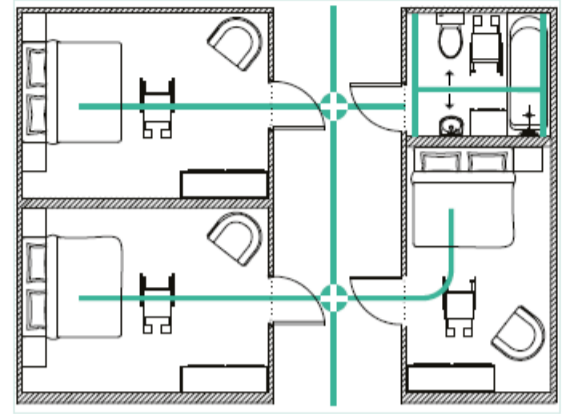
# Types of ceiling system installations



Single rail



Traverse system



Turntable & Gate



## Types of systems for use in the rail



Gate  
55721



Turntable  
91884



Track-Switch  
PLS1003 Track-Switch (Left)  
PLS1004 Track-Switch (Right)

## Compatible accessories



2-point spreader bar  
PLS8102



4-point spreader bar  
PLS8103 - to 500 kg



Electric spreader bar  
PLS8105 - to 250 kg  
PLS8107 - to 350 kg



LeviActive spreader bar  
O-CZ-LA



PLS scale  
PLS8106