

PLS AR-200P PLS2010P

Ceiling hoist

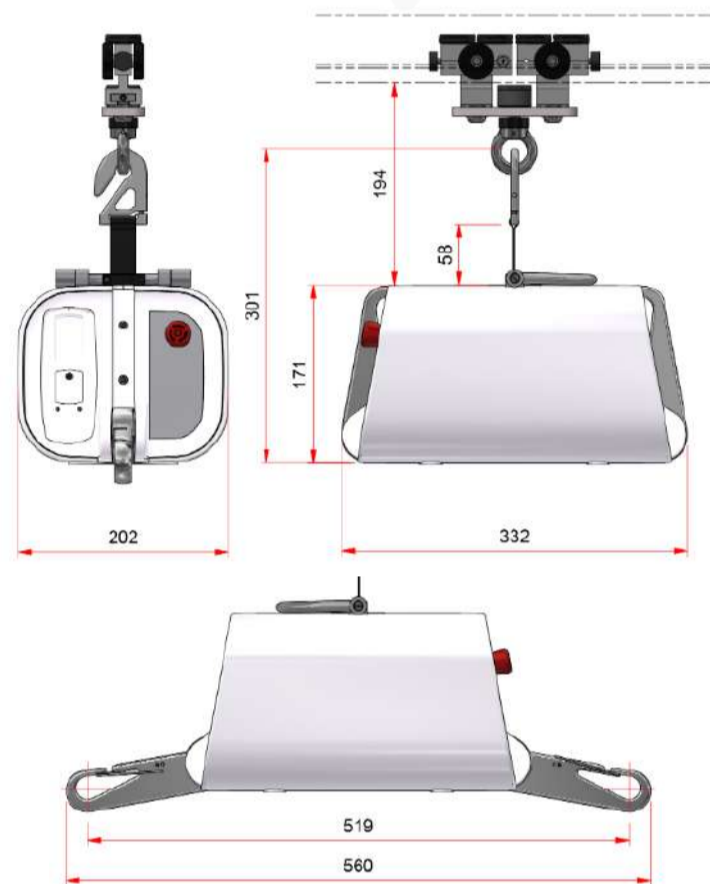


The AR-200P is a high-quality, versatile ceiling hoist that allows for safe and respectful user transfers. This ceiling hoist boasts exceptionally low noise levels, both during lifting and during travel along the rail. The lift's high load capacity, combined with a variety of advanced mounting options, makes this lift an excellent solution for transfers within a home or care facility.



Main advantages:

- Advanced battery protection system,
- A lift and spreader bar in one,
- Magnetic attachment to the remote control on the hoist housing,
- Automatic standby mode when not in use for a certain period of time,
- Zero power consumption in standby mode,
- Easy transfer between rails and rooms,
- Battery overload alarm,
- Waterproof hand control.



Technical parameters

Lifting capacity	200 kg
Weight	6,7 kg
Dimensions of the folded hoist	332 × 202 × 171 mm
Dimensions of the unfolded hoist	560 × 202 × 171 mm
Carrying strap dimensions	25 mm × 2400 mm
Lifting speed (loaded/unloaded)	26 mm/s / 52 mm/s
Falling speed (loaded/unloaded)	53 mm/s / 52 mm/s
Number of lifts (70 cm belt extension)	<ul style="list-style-type: none"> • >52× (75 kg) • >47× (125 kg) • >18× (200 kg)
Input voltage	29,2 V DC
Battery	1 × 25,6 V – 1,1 Ah (Li-Ion, 8 cells)
Minimum charging time (Mascot 2241 LiFe charger)	2 hours
Installation options	Single track, traverse, portable hoist
Noise level	45 ≤ 54 dB
Hoist tightness level	IP 24
Hand control tightness level	IP 67
Attachment point	Aluminum hook „quick-release“
Attachment tool	Reacher 90–160 cm, with magnet for CSP attachment



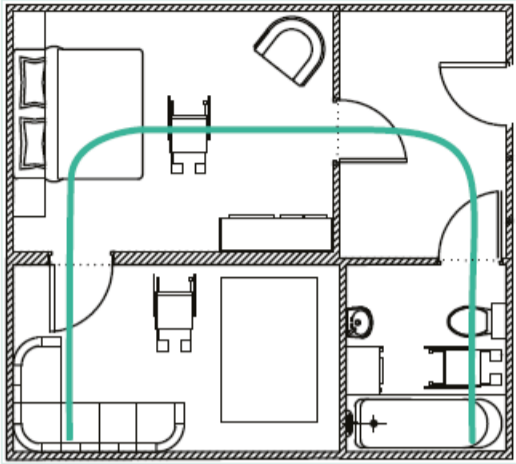
Additional technical parameters

Hand control	Wireless
Average braking distance at the center of the suspension	37 mm
Material (construction) and maintenance	Steel (S235JR, S355JR), C45 (electro-galvanized), Aluminum (panodized grey)
Cover	MABS with UL-94 HB flammability
Tool to attach the hoist	Reacher 90-160 cm
Basic UDI-DI	8720165793R10001UV
In compliance with Regulation (EU) 2017/745 and standards	See Declaration of Conformity

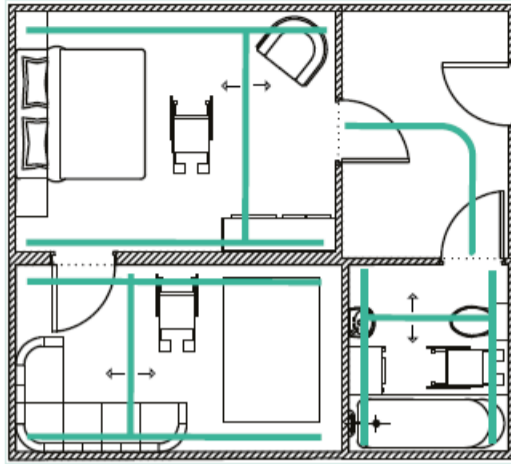
Safety features

Battery monitor	Prevents fully discharging of the Batteries.
Height End Switch	Ensures that the Spreader Bar does not move higher than the maximum lifting height.
Emergency stop	Turns off the Ceiling Hoist in emergency situations when the red cord is pulled.
Emergency lowering feature	Lowers the patient when the Emergency Cord is pulled down.
Lifting Tape tension switch	Prevents the Lifting Tape in the Ceiling Hoist from piling up when lowered without load.
Lifting Tape limit switch	Turns off the motor of the Ceiling Hoist at the end of the Lifting Tape.

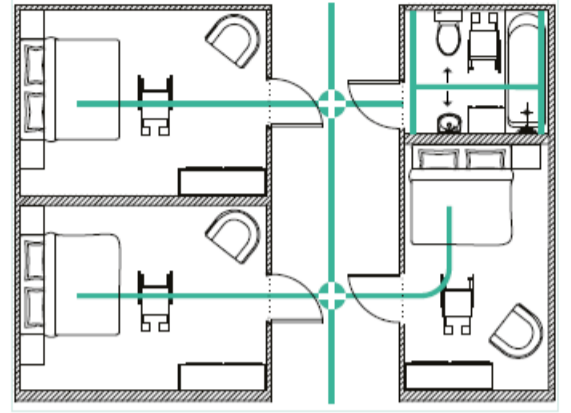
Types of ceiling system installations



Single track



Traverse system



Turntable and Coupling



Solutions for the rail system



Coupling
55721



Turntable
91884



Track Switch
PLS1003 Track-Switch (Left)
PLS1004 Track-Switch (Right)

