

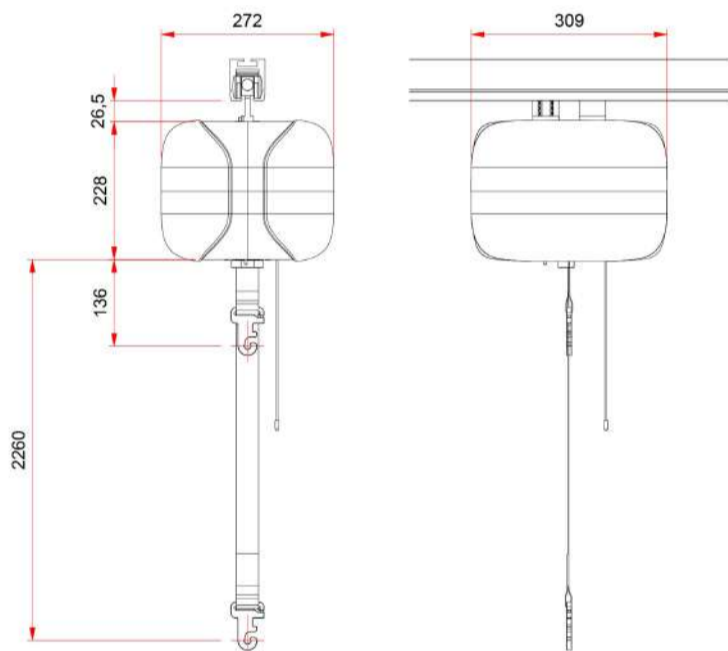


PLS AR-200DR PLS2010DR

Ceiling hoist



The AR-200DR is a high-quality, self-propelled ceiling hoist that allows for safe and respectful user transfer. The ceiling hoist features exceptionally low noise levels, both during lifting and during operation, and rail travel. The hoist's high load capacity, combined with many advanced mounting options and a long-lasting battery, allows it to be used not only for transfers but also in physiotherapy.



Dimensions: 307 x 270 x 295 mm
Length of carrying strap: 2260 mm

Main advantages:

- an electrically controlled movement mechanism, thanks to which it can move along the rail using an electric drive at the touch of a button,
- advanced battery protection system,
- automatic standby mode when not in use for a certain period of time,
- zero power consumption in standby mode,
- slow start and stop function for comfortable lifting,
- option to use an electric spreader bar,
- manual charging via a magnetic wall charger or directly in the rail (optional).

PLS lifts are charged via a remote control in a magnetic charging station mounted on the wall.



Technical parameters

Lifting capacity	200 kg
Control	Hand control
Moving along the track	Hand control
Hanger attachment point	Quick connector with spreader bar lock and screw d=10mm
Battery charging time (from critical level)	8 hours
Battery charge indicator	LED diode
Auto hoist shut-off	Yes -15 minutes
Auto battery indicator off	Yes - 2 minutes
Number of lifts 70 cm when fully charged	80kg - 75 / 120 kg - 40
Device weight	10 kg
Sound level up (no load, max load)	47 dB / 54 dB (A)
Sound level down (no load, max load)	45 dB / 50 dB (A)
Lifting speed (without load, with load)	43 / 32 mm/sec
Falling speed (no load, with load)	42 / 47 mm/sec
Input voltage	24 V/DC (through a wall charger)
Battery	Batteries (2x) 12 V – 2.9 Ah (sealed lead-acid)
Hoist tightness class	IP-32
Hand control tightness class	IP-66
Emergency lowering	Yes, with a 60 cm rope
Slow start&stop system	Yes
Battery protection system	Yes
End protection	Ensures that the hanger does not move higher than the maximum lifting height.
Emergency stop switch	Yes, it turns off the lift when the button is pressed

Driven trolley for AR200DR

Scale	2 kg
Sound level at full speed	35 dB
Feed speed (load 0 / 80 / 120 / 200 kg)	manually/ 0,232 / 0,231 / 0,227 m/sec
Average speed	0,230 m/sec
Acceleration to full speed	85 cm
Hamowanie z pełnej prędkości do 0	25 cm
Trolley tightness class	IP-52
Output voltage	24 V/DC connected to the battery in the hoist



Additional technical parameters

Control	Wired and wireless
Average braking distance at the center of the suspension	37 mm
Material (construction) and maintenance	Steel (S235JR, S355JR), C45 (electro-galvanized), Aluminum (powder-coated)
Cover	MABS with UL-94 HB flammability (higher available)
Length of the alarm cord	60 cm (with regulation)
Basic UDI-DI	87201657932010TQ
In accordance with Regulation (EU) 2017/745 and standards	See Declaration of Conformity

Security features

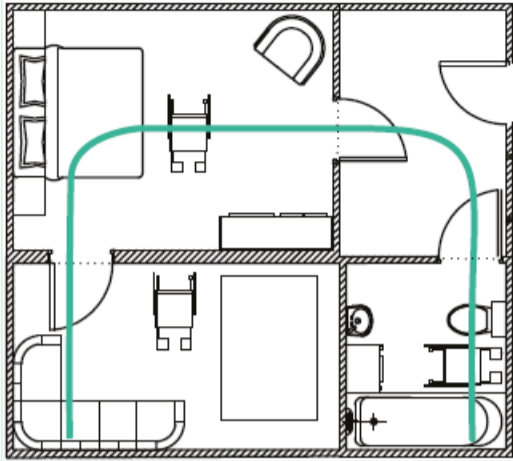
Battery monitor	Prevents the battery from completely discharging.
Height limit switch	Ensures that the spreader beam does not move higher than the maximum lifting height.
Emergency stop	Turns off the ceiling hoist in an emergency by pulling the red string.
Emergency lowering function	Lowers the patient after pulling the emergency cord.
Lifting belt tension switch	Prevents the lifting strap from building up in the ceiling hoist when lowering it without a load.
Lifting belt limit switch	Turns off the ceiling hoist motor at the end of the lifting belt.

Driven trolley - broader description

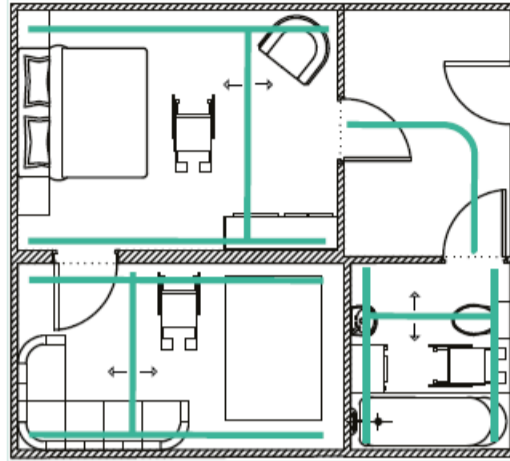
Use	In all PLS rails and railway components
Operating	Manual Plus control, with "back" and "forward" buttons. The control function is activated by lifting the patient. Manual transfer is possible without a patient (load).
Weight	2 kg
Speed (at 0 kg/ 80 kg/ 120 kg/ average)	Manual handling, 0,232 m/s , 0,231 m/s, 0,227 m/s, 0,230 m/s
Starting distance from zero to full speed (average)	85 cm
Braking distance from full speed to zero (average)	25 cm
Height between top cover and bottom rail (unloaded)	26,5 mm
Electrical connection	On the ceiling lift PCB
Input voltage	24 V/DC (connected to PLS Ceiling Hoist batteries)
IP tightness class	IP-52



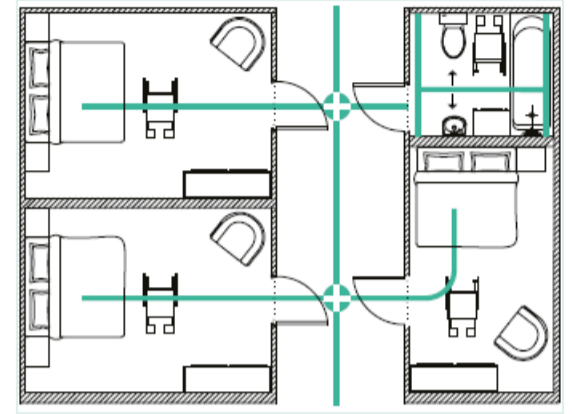
Types of ceiling system installations



Single rail



Traverse system



Turntable & Track-Switch



Systems for use in the rail system



Gate
55721



Turntable
91884



Track-Switch
PLS1003 Track-Switch (Left)
PLS1004 Track-Switch (Right)

Compatible accessories



2-point PLS spreader bar
PLS8102



4-point PLS spreader bar
8103 - to 500 kg



Electric PLS spreader bar
PLS8105 - to 250 kg
PLS8107 - to 350 kg



LeviActive spreader
bar
O-CZ-LA



PLS Scale
PLS8106